



Model: 3100SP

SPECIFICATIONS

CASE	100mm diameter constructed of AISI 304 stainless steel
PRESSURE ELEMENT	AISI 316 stainless steel
MOVEMENT	AISI 304 stainless steel
DIAL	White aluminium
UNITS	Single kPa scale is standard - other engineering units available on request
POINTER	Black aluminium
PRESSURE CONNECTION / THREAD TYPE	Stainless Steel 316L, Bottom entry, 1/2" NPT standard
INGRESS PROTECTION	IP65

OPERATION

A robust stainless steel gauge suitable for service requiring a safety pattern gauge such as use with volatile gases (e.g. oxygen or acetylene) and for high pressure inert gases (over 25 bar).

FEATURES

SAFETY DESIGN Designed to comply with BS EN 837:1998 for the requirements of safety pattern gauges. Safety features include baffle wall, blowout back and laminated safety glass.

ACCURACY Class 1 (+/- 1% of full scale). Class 0.6 available on request.

OXYGEN SERVICE Specify for use with oxygen - the 'use no oil' logo & the word 'oxygen' is printed on dial.

TEMPERATURE Operating Temperature is -25/80°C Unfilled gauges will tolerate 160°C for short periods. Gauges have been calibrated at 20°C. Allow +/- 0.4% change in pressure for every 10°C deviation from calibration temperature. For continuous use at high temperatures a diaphragm or other heat reduction method is recommended

PRESSURE LIMITATIONS Steady 3/4 full scale, Fluctuating 3/4 full scale, Will withstand 1.25% full scale for short periods of time.

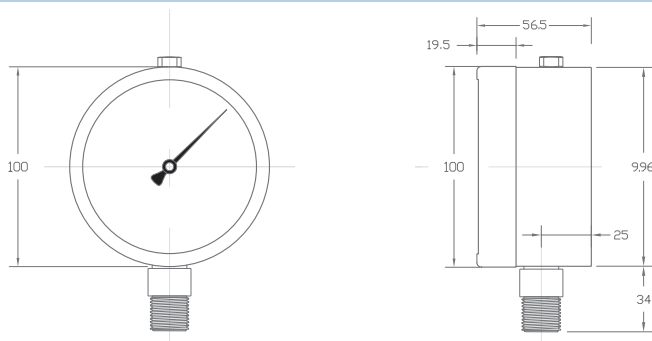
Pressure Ranges kPa

Vacuum	-100/0
Pressure	0/70, 0/100, 0/160
	0/250, 0/400, 0/600
	0/1000, 0/1600
	0/2500, 0/4000
	0/600, 0/10000
	0/16000, 0/25000
	0/40000, 0/60000
	0/100000
Compound	-100/150, -100/300
	-100/500, -100/900, -100/1500 -100/2400

OPTIONS

Oxygen Service, Silicon Filled, Adjustable Pointers, Special Scales, Corporate Logos, Coloured Sectors, Assembly on Diaphragms.

DIMENSIONS (mm)



HOW TO ORDER

Model	3100SP	H	D	0/100,000	1/2" NPT
Accuracy					Thread Type
H - 1%					
E - 0.6%					
Types					Range
C	- Compound				
D	- Direct mounting, bottom				
L	- Liquid Filled				
X	- specials - state				

Manufactured in New Zealand by
TEL THERM INSTRUMENTS LTD.

295 Neilson St,
Onehunga
Auckland
1061

P.O. Box 12-171,
Penrose
Auckland
1642

Ph: +64 9 633 0040
Fax: +64 9 633 0012
Email: sales@teltherm.co.nz

www.teltherm.co.nz

Not sure which instrument you need?
for help and advice
Call us now on +64 9 633 0040