



Model: 6A

SPECIFICATIONS

Plastic cased remote reading nickel plated copper capillary vapour pressure actuated temperature gauge with fast response rates.

- CASE** Glass filled Nylon wall mount 100mm diameter dial
- CAPILLARY** 2mm OD nickel plated copper
- BULB** Nickel plated copper, 12.7mm OD x 90mm length
- DIAL** Aluminium, black on white
- POINTER** Black coated aluminium

FEATURES

- SINGLE SCALE** °C
- ACCURACY** ±1.5% of full scale deflection in accordance with British Standards B.S. 1041
- CAPILLARY** Standard Length is 2m, but lengths up to 30m are available.
- WALL MOUNT** This is the only option available for this model.

Vapour pressure thermometer scales are logarithmic. The ideal working temperature point is between 10 and 2 o'clock on the dial.

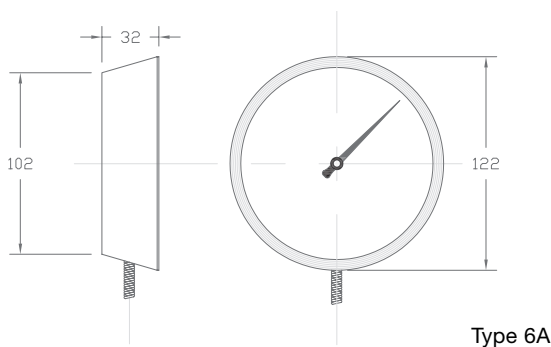
TEMPERATURE RANGES

Temperature Ranges °C	Effective Temperature Range °C
-40/ +15	-30/15
-30/ +30	-30/30
-20/ +60	-20/60
10/80*	25/80
40/110*	50/100
40/150*	50/150
100/200	100/200

*These ranges can be supplied with bulb 7.5mm diameter and length 80mm (minimum)

Special length pockets required for this option.

DIMENSIONS (mm)



CONNECTIONS

Pockets (thermowells) can be provided in either nickel plated brass or 316 stainless steel, 1/2" BSP thread with nut and rubber insert to hold capillary.

ORDERING GUIDE

Model	6A	-30/30	6M	12.7/90	SS	
Range						Thermowell (SS) Stainless steel (CPB) Nickel plated brass
Capillary Length						
						Bulb Dimensions 12.7/90mm 7.5/80mm

Manufactured in New Zealand by
TEL THERM INSTRUMENTS LTD.

295 Neilson St,
Onehunga
Auckland
1061

P.O. Box 12-171,
Penrose
Auckland
1642

Ph: +64 9 633 0040
Fax: +64 9 633 0012
Email: sales@teltherm.co.nz

www.teltherm.co.nz