



Model: 3063

### SPECIFICATIONS

<b>CASE</b>	AISI 304 stainless steel
<b>BEZEL</b>	AISI 304 stainless steel
<b>BOURDON TUBE</b>	Phosphor Bronze
<b>STEM</b>	Brass
<b>WINDOW</b>	Polycarbonate
<b>GASKET</b>	Silicone
<b>FILLING LIQUID</b>	Glycerine

### OPERATION

The 3063 is a general purpose 63 mm diameter gauge designed for liquid filling if required. The design and accuracy of this Teltherm gauge complies with BS EN 837-1:1998 for class 1.6 pressure gauges.

### FEATURES

<b>DUAL SCALE</b>	kPa and psi standard, other engineering units available on request.
<b>ACCURACY</b>	±1.6 % of full scale. Gauges are tested on ascending and descending pressure.
<b>LIQUID FILLED</b>	This acts as a dampening agent for the sensitive element and movement and also reduces pointer flutter to allow easier reading. Gauge service life is therefore extended. Standard fill is glycerine.
<b>THREAD TYPE</b>	Standard ¼ " BSPT

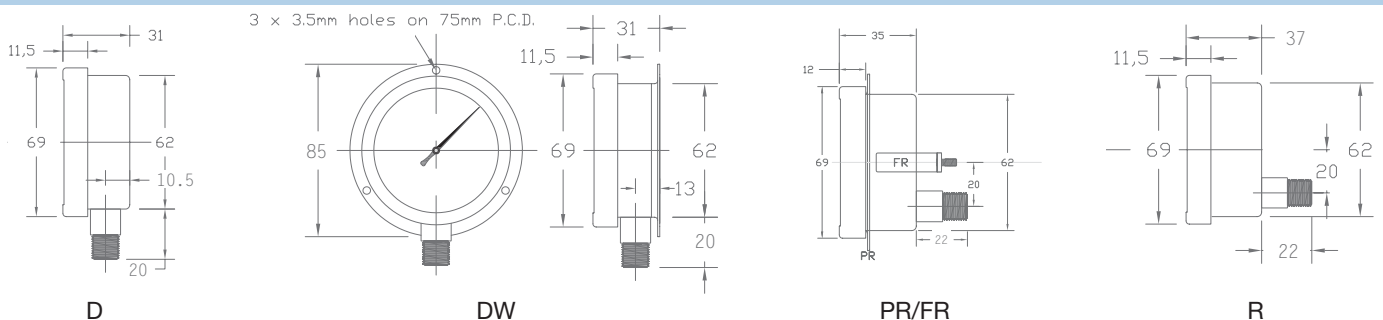
### Pressure Ranges kPa

Vacuum	-100/0
Pressure	0/70, 0/100 0/250, 0/400, 0/600 0/1000, 0/1600 0/2500, 0/4000 0/6000, 0/10000 0/16000, 0/25000 0/40000
Compound	-100/150, -100/300 -100/500, -100/900, -100/1500 -100/2400

### OPTIONS

Silicone Filled, Adjustable Pointers, Drag Pointers (Max Reading), Corporate Logos, mH<sub>2</sub>O, Freon Scales, Coloured Sectors

### DIMENSIONS (mm)



### HOW TO ORDER

Model	-----	3063	DL	0/2500	¼ " BSPT	-----	Thread Type
Types	-----					-----	Range
A							
C							
D							
FR							
PR							
L							
R							
W							
X							

Manufactured in New Zealand by  
**TELTERM INSTRUMENTS LTD.**

5/343 Church St,  
Onehunga  
Auckland 1061

P.O. Box 12-171,  
Penrose  
Auckland 1642

Ph: +64 9 633 0040  
Fax: +64 9 633 0012  
Email: sales@teltherm.co.nz

www.teltherm.co.nz