



Model: 3150

SPECIFICATIONS

CASE	AISI 304 stainless steel
BEZEL	AISI 304 stainless steel
BOURDON TUBE	AISI 316 stainless steel
STEM	AISI 316 stainless steel
WINDOW	Polycarbonate
GASKET	Nitrile
FILLING LIQUID	Glycerine

OPERATION

The 3150 is designed to withstand vigorous conditions and is made of all 316 stainless steel wetted parts. The design and accuracy of this Teltherm gauge complies with BS EN 837-1:1998 for class 1 pressure gauges.

FEATURES

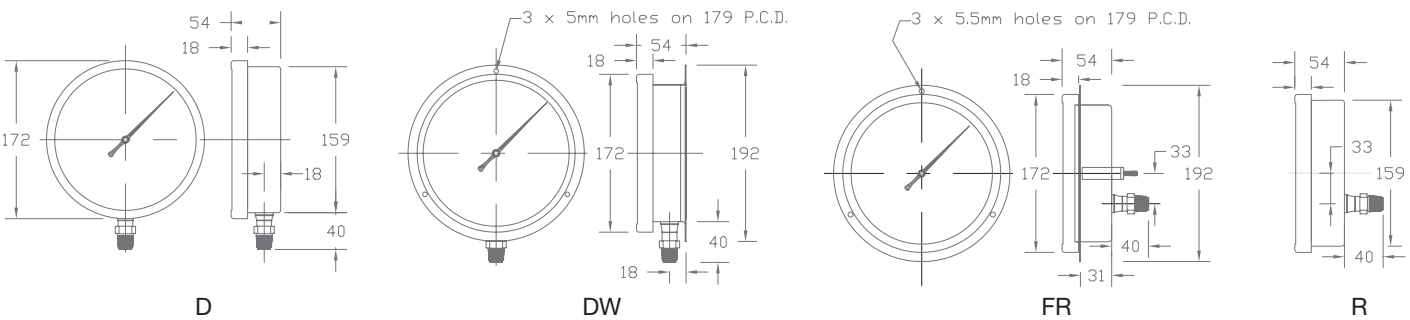
- DUAL SCALE** kPa and psi standard, other engineering units available on request
- ACCURACY** ±1% of full scale. Gauges are tested on ascending and descending pressure.
- LIQUID FILLED** This acts as a dampening agent for the sensitive element and movement and also reduces pointer flutter to allow easier reading. Gauge service life is therefore extended. Normal fill is Glycerine.
- THREAD TYPE** Standard 3/8" BSPT
Others available are: 1/4" BSP, 1/2" BSP, 1/4" NPT, 1/2" NPT, 1/4" Flare

Pressure Ranges kPa	
Vacuum	-100/0
Pressure	0/70, 0/100, 0/160
	0/250, 0/400, 0/600
	0/1000, 0/1600
	0/2500, 0/4000
	0/6000, 0/10000
	0/16000, 0/25000
	0/40000, 0/60000
	0/100000
Compound	-100/150, -100/300
	-100/500, -100/900, -100/1500 -100/2400

OPTIONS

Silicon Filled, Oxygen Service, Adjustable Pointers, Drag Pointers (Max Reading), Electrical Contacts, Special Scales, Corporate Logos, Ammonia Scales, Freon Scales, Tonnes-on-ram, Coloured Sectors,

DIMENSIONS (mm)



HOW TO ORDER

Model	-----	3150	H	WL	0/100,000	3/8" BSPT	
Accuracy	-----						Thread Type
		H - 1%					
		E - 0.6%					
Types	-----						Range
		A					
		C					
		D					
		FR					
		PR					
		L					
		R					
		W					
		X					

Manufactured in New Zealand by
TEL THERM INSTRUMENTS LTD.
 295 Neilson St,
 Onehunga
 Auckland
 1061
 P.O. Box 12-171,
 Penrose
 Auckland
 1642
Ph: +64 9 633 0040
Fax: +64 9 633 0012
Email: sales@teltherm.co.nz
www.teltherm.co.nz