



Model: 3600

SPECIFICATIONS

CASE	Spun Aluminium
BEZEL	Anodised Aluminium
BOURDON TUBE	Phosphor Bronze
STEM	Brass
WINDOW	Glass
GASKET	Rubber

OPERATION

The 3600 is designed as a general purpose gauge for service with low vibration and minimal pulsation.

The design and accuracy of this Teltherm gauge complies with BS EN 837-1:1998 for class 1 pressure gauges.

FEATURES

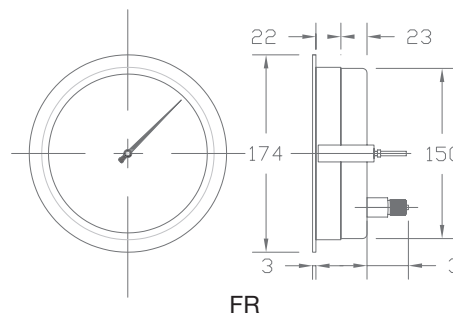
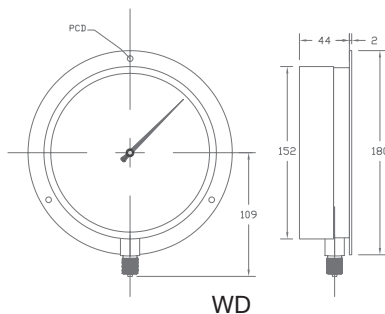
- DUAL SCALE** kPa and psi standard, other engineering units available on request
- ACCURACY** ±1% of full scale. Gauges are tested on ascending and descending pressure.
- THREAD TYPE** Standard 3/8" BSP

Pressure Ranges kPa	
Vacuum	-100/0
Pressure	0/70, 0/100, 0/160
	0/250, 0/400, 0/600
	0/1000, 0/1600
	0/2500, 0/4000
	0/6000, 0/10000
	0/16000, 0/25000
Compound	-100/150, -100/300
	-100/500, -100/900, -100/1500 -100/2400

OPTIONS

Special Scales, Corporate Logos, Freon Scales, Tonnes-on-ram, Coloured Sectors

DIMENSIONS (mm)



HOW TO ORDER

Model	-----	3600	H	WD	0/1600	3/8" BSP	
Accuracy	-----						Thread Type
		H - 1%					
		E - 0.6%					
Types	-----						Range
		A	- Altitude with red set pointer				
		C	- Compound				
		D	- Direct mounting, bottom				
		FR	- Flush panel mount with back strap				
		R	- Direct mount - rear				
		W	- Wall mount with back flange				
		X	- Specials - state				

Manufactured in New Zealand by
TEL THERM INSTRUMENTS LTD.
 295 Neilson St,
 Onehunga
 Auckland
 1061
 P.O. Box 12-171,
 Penrose
 Auckland
 1642
Ph: +64 9 633 0040
Fax: +64 9 633 0012
Email: sales@teltherm.co.nz
www.teltherm.co.nz