



Model: 3025

### SPECIFICATIONS

<b>CASE</b>	AISI 304 stainless steel
<b>BEZEL</b>	AISI 304 stainless steel
<b>BOURDON TUBE</b>	AISI 316 stainless steel
<b>STEM</b>	AISI 316 stainless steel
<b>WINDOW</b>	Polycarbonate
<b>GASKET</b>	Silicon
<b>FILLING LIQUID</b>	Glycerine

### OPERATION

The 3025 is designed to withstand vigorous conditions and is made of all 316 stainless steel wetted parts. The design and accuracy of this Teltherm gauge complies with BS EN 837-1:1998 for class 1.6 pressure gauges.

### FEATURES

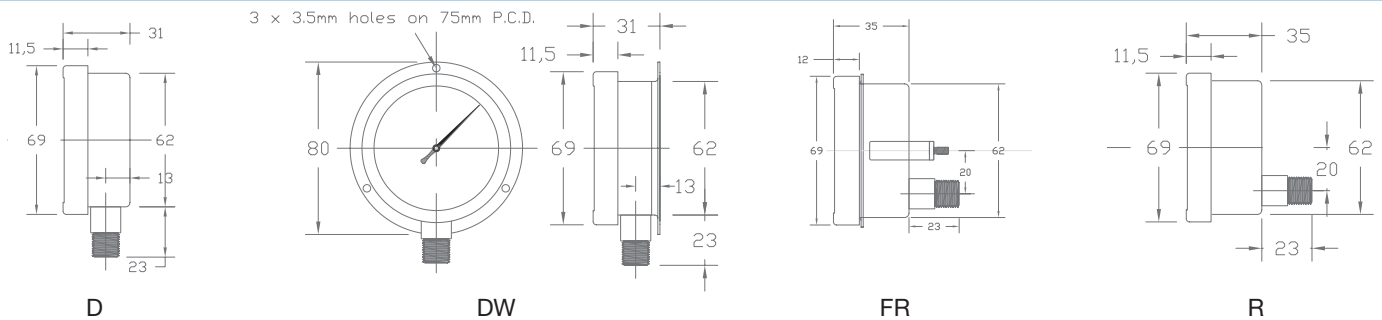
- DUAL SCALE** kPa and psi standard, other engineering units available on request
- ACCURACY** ±1% of full scale. Gauges are tested on ascending and descending pressure.
- LIQUID FILLED** This acts as a dampening agent for the sensitive element and movement and also reduces pointer flutter to allow easier reading. Gauge service life is therefore extended. Normal fill is Glycerine.
- THREAD TYPE** Standard 1/4" NPT  
Others available are: 1/4" BSP

Pressure Ranges kPa	
Vacuum	-100/0
Pressure	0/70, 0/100, 0/160
	0/250, 0/400, 0/600
	0/1000, 0/1600
	0/2500, 0/4000
	0/6000, 0/10000
	0/16000, 0/25000
	0/40000
Compound	-100/150, -100/300
	-100/500, -100/900, -100/1500 -100/2400

### OPTIONS

Silicon Filled, Adjustable Pointers, Drag Pointers (Max Reading), Special Scales, Corporate Logos, Ammonia Scales, Freon Scales, Coloured Sectors

### DIMENSIONS (mm)



### HOW TO ORDER

Model ----- **3025** **DL** **0/1000** **1/4" BSP**

----- Thread Type

Types ----- Range

- C - Compound
- D - Direct mounting, bottom
- FR - Rear entry, flush panel mount with back strap
- PR - Rear entry, flush mount with 3 hole ring
- L - Liquid filled
- R - Direct mount - rear
- W - wall mount with back flange
- X - specials - state

Manufactured in New Zealand by  
**TEL THERM INSTRUMENTS LTD.**  
 295 Neilson St,  
 Onehunga  
 Auckland  
 1061  
 P.O. Box 12-171,  
 Penrose  
 Auckland  
 1642  
**Ph: +64 9 633 0040**  
**Fax: +64 9 633 0012**  
**Email: sales@teltherm.co.nz**  
**www.teltherm.co.nz**