



Model: 6SSA

SPECIFICATIONS

Stainless steel cased remote reading nickel plated copper capillary vapour pressure actuated temperature gauge with fast response rates.

- CASE** AISI 304 stainless steel
- BEZEL** AISI 304 stainless steel
- CAPILLARY** 2mm OD nickel plated copper
- BULB** Nickel plated copper, 12.7mm OD x 90mm length (minimum)
- DIAL** Aluminium, black on white
- POINTER** Black coated aluminium

FEATURES

- SINGLE SCALE** °C
- ACCURACY** ±1.5% of full scale deflection in accordance with British Standards B.S. 1041
- CAPILLARY** Standard Length is 2m, but lengths up to 30m are available.

Vapour pressure thermometer scales are logarithmic. The ideal working temperature point is between 10 and 2 o'clock on the dial.

OPTIONS

- Protective sheathing over the capillary (copper or stainless steel) Armoflex also available as extra protection
- Stainless steel bulbs
- Silicon filled case

CONNECTIONS

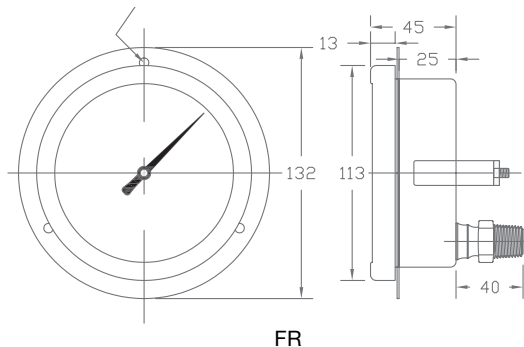
Pockets (thermowells) can be provided in either nickel plated brass or 316 stainless steel, 1/2" BSP thread with nut and rubber insert to hold capillary.

TEMPERATURE RANGES

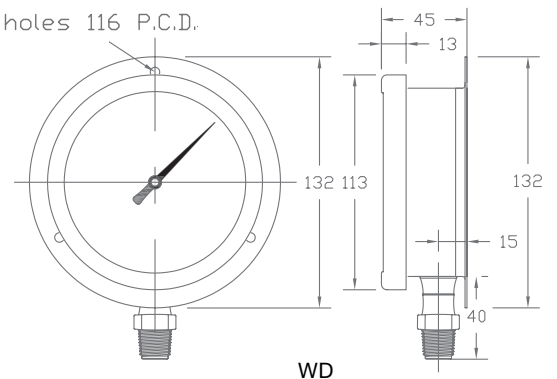
Temperature Ranges °C	Effective Temperature Range °C
-40/ + 15	-30/15
-30/ + 30	-30/30
-20/ + 60	-20/60
10/80	25/80
40/110	50/100
40/150	50/150
100/200	100/200

DIMENSIONS (mm)

3 x 5mm holes on 116 P.C.D.



3 x 5mm holes 116 P.C.D.



ORDERING GUIDE

Model	6SSA	-30/30	6M	12.7/90	R	SS
Range	-----		-----		-----	
Capillary Length	-----		-----		-----	
Bulb Dimensions	-----		-----		-----	
<p>CP - 12.7/90mm - standard for chrome plated copper system SS - 12.7/150mm - Standard for AISI 316 Stainless steel system (requires 80mm immersion minimum)</p>						
<p>Thermowell (SS) Stainless steel (CPB) Nickel plated brass (O) Other - Specify</p>						
<p>Mounting W - Wall mount FR - Panel mount L - Silicon Filled</p>						

Manufactured in New Zealand by
TEL THERM INSTRUMENTS LTD.

295 Neilson St,
 Onehunga
 Auckland
 1061

P.O. Box 12-171,
 Penrose
 Auckland
 1642

Ph: +64 9 633 0040
 Fax: +64 9 633 0012
 Email: sales@teltherm.co.nz

www.teltherm.co.nz