



Model: 4SS

SPECIFICATIONS

All stainless steel, bi-metal operated, dial thermometer with sealed head.

- CASE** AISI 304 stainless steel
- BEZEL** AISI 304 stainless steel
- DIAMETER** 100mm or 150mm
- STEM** Stainless steel, welded construction
 - 12.7mm - standard diameter or 6.35mm diameter (Others available on request)
 - Lengths from 50mm to 1500mm in AISI 316 stainless steel
- CONNECTION** Fixed Thread, Adjustable compression union or seperable pocket (thermowell), all in 316 stainless steel or nickel plated brass
- THREAD** Unions 1/2" NPT or BSPT. Pockets 1/2" NPT or BSPT - Other sizes available
- RANGES** From -40 to +500 °C. Refer standard ranges list
- ACCURACY** ±1% full scale
- WINDOW** Polycarbonate
- GASKET** Nitrile

FEATURES

- Head may be silicon filled for heavy duty plant conditions. - Accuracy may be reduced to ±2% of full scale.
- Rust and corrosion proof, leak sealed heads.

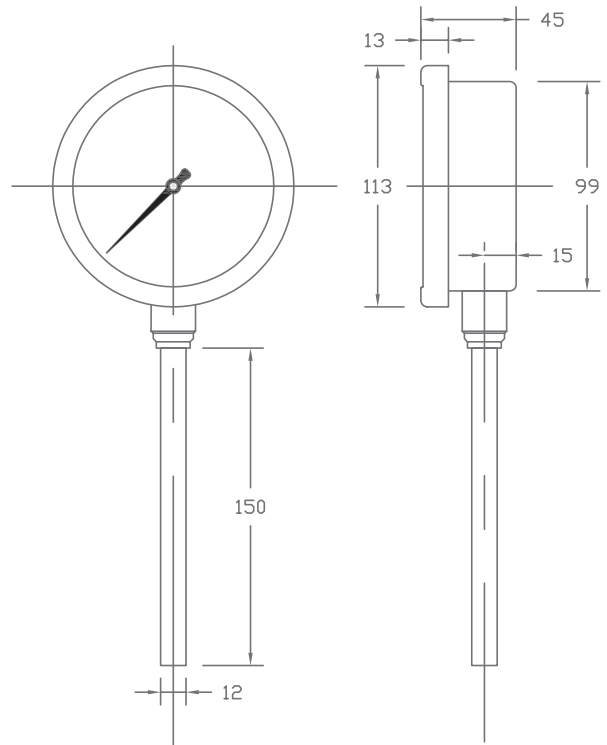
OPTIONS

- Back flange for wall mounting

STANDARD RANGES

Standard Ranges °C	Scale Divisions
-40/ +60	1 °C
-20/ +80	1 °C
0/ 50	0.5 °C
0/100	1 °C
0/120	1 °C
0/150	1 °C
0/200	2 °C
0/250	5 °C
0/300	2 °C
0/400	5 °C
0/500	5 °C

DIMENSIONS



Type 4SS

ORDERING GUIDE

Model ----- 4SS A 12 0/120 300 T 1/2"BSPT

Dial Size -----
 A - 100mm
 B - 150mm

Stem Diameter -----
 12 - 12.7mm
 06 - 6.35mm

Temperature Range -----

Thread Form -----

Connection Type -----
 F - Fixed stainless steel thread
 C - Compression union
 T - Thermowell

Length of Stem -----
 (state)

Manufactured in New Zealand by
TEL THERM INSTRUMENTS LTD.
 295 Neilson St,
 Onehunga
 Auckland
 1061
 P.O. Box 12-171,
 Penrose
 Auckland
 1642
Ph: +64 9 633 0040
Fax: +64 9 633 0012
Email: sales@teltherm.co.nz
www.teltherm.co.nz