

SPECIFICATIONS



Model: 3CW

All stainless steel, bi-metal operated, dial thermometer with sealed head.

- DIAMETER** 63mm
- STEM** Stainless steel, welded construction
 - 6.35mm diameter
 - Lengths from 50mm to 300mm in AISI 316 stainless steel
- CONNECTION** Fixed Thread, Adjustable compression union or seperable pocket (thermowell), all in 316 stainless steel
- THREAD** Unions 1/2" NPT. Pockets 1/2" NPT. (Other sizes available on request.)
- RANGES** From -40 to +250 °C. Refer standard ranges list
- ACCURACY** ±1% of full scale
- CASE** AISI 304 stainless steel
- BEZEL** AISI 304 stainless steel
- WINDOW** Polycarbonate
- GASKET** Nitrile

FEATURES

- May be mounted in vertical or horizontal positions
- Head may be silicon filled for heavy duty plant conditions - Accuracy may be reduced to ±2% of full scale
- Rust and corrosion proof, leak sealed heads

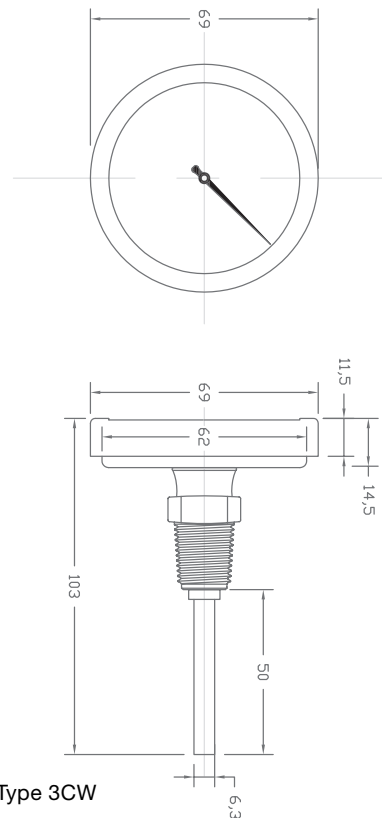
OPTIONS

- Back flange for duct mounting

STANDARD RANGES

Standard Ranges °C	Scale Divisions
-40/ +60	1 °C
-20/ +80	1 °C
0/ 50	0.5 °C
0/100	1 °C
0/120	1 °C
0/150	1 °C
0/200	2 °C
0/250	5 °C

DIMENSIONS (mm)



Type 3CW

ORDERING GUIDE

Model ----- **3CW** **0/120** **300** **T** **1/2"BSPT**

Temperature Range ----- Thread Form

Length of Stem ----- Connection Type
 F - Fixed stainless steel union
 C - Compression union
 T - Thermowell

Manufactured in New Zealand by
TEL THERM INSTRUMENTS LTD.
 295 Neilson St,
 Onehunga
 Auckland
 1061
 P.O. Box 12-171,
 Penrose
 Auckland
 1642
Ph: +64 9 633 0040
Fax: +64 9 633 0012
Email: sales@teltherm.co.nz
www.teltherm.co.nz